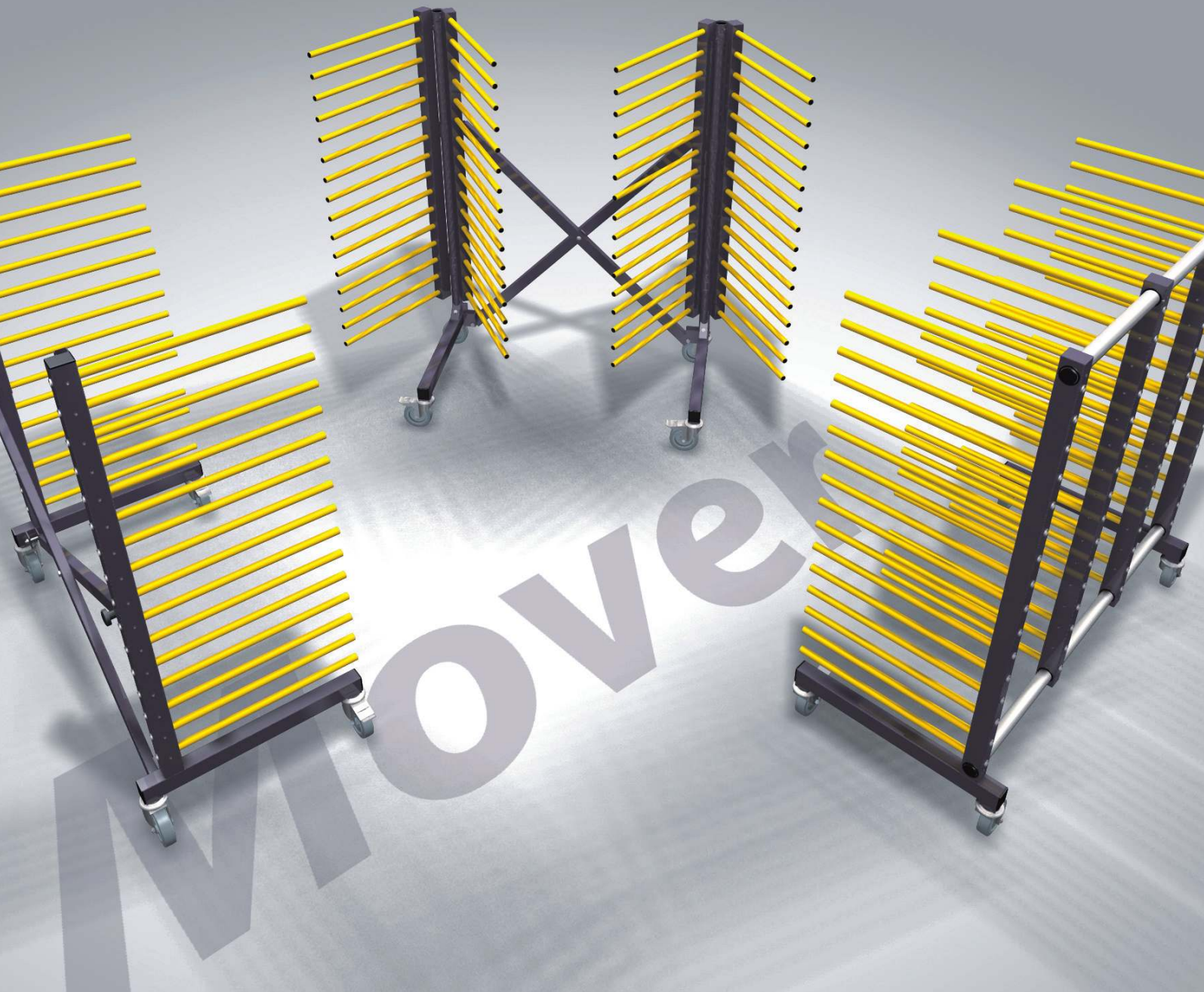


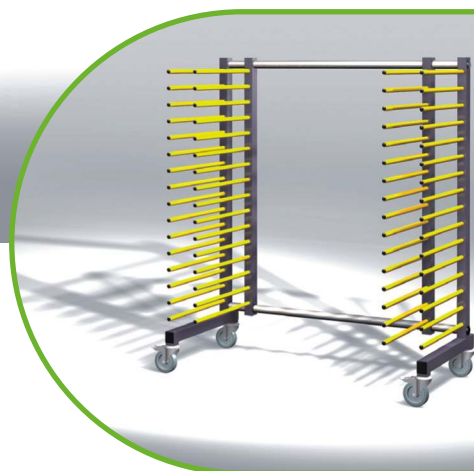
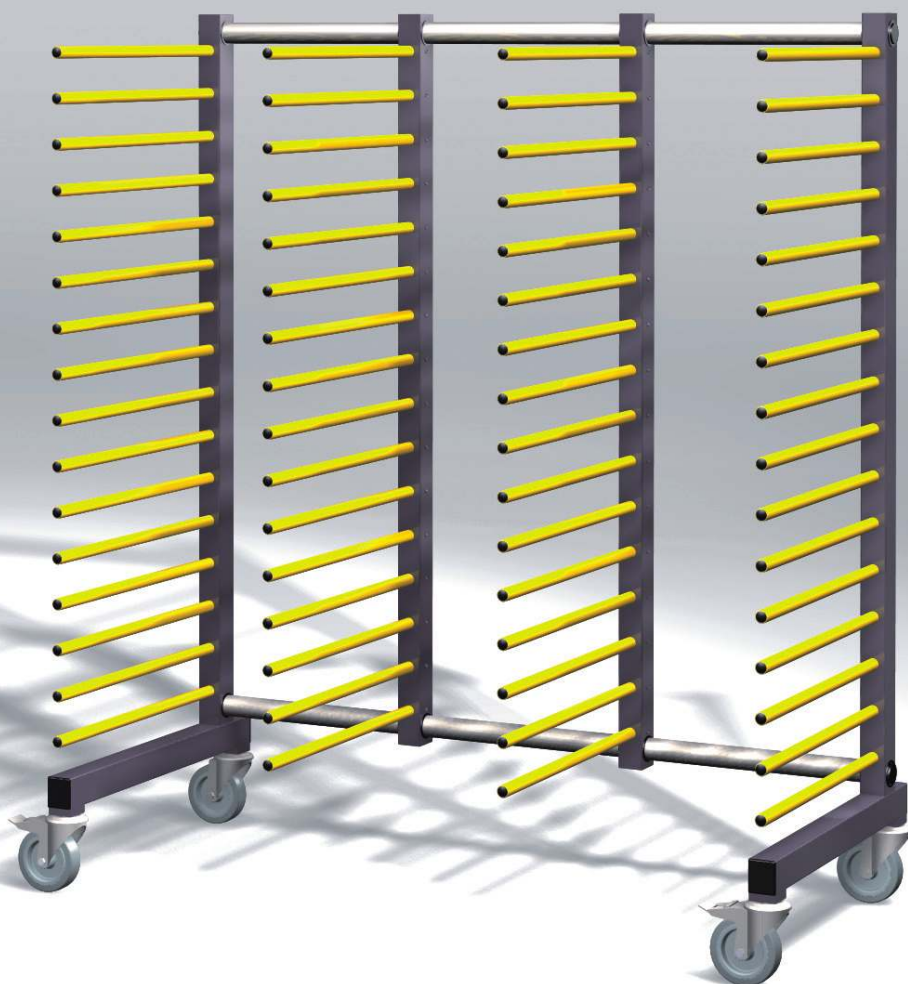
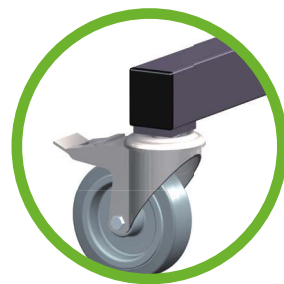
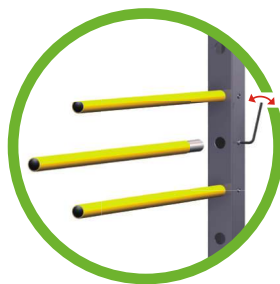
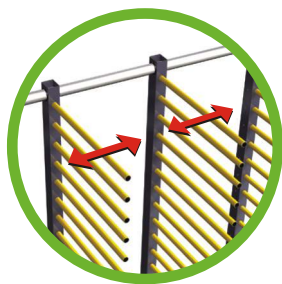
Mover

Mobile Rack • Paint Drying Trolley • Tray Truck

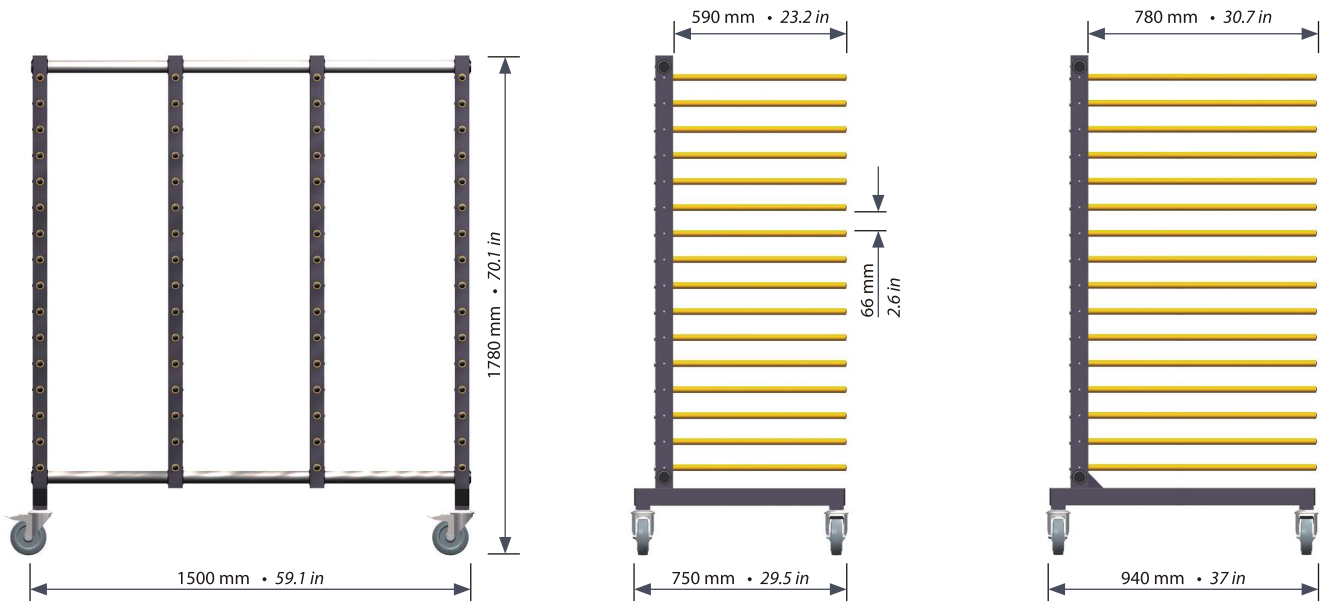
*Optimize your material throughput
with systematic handling!*



Mover 4 - A59 • A78

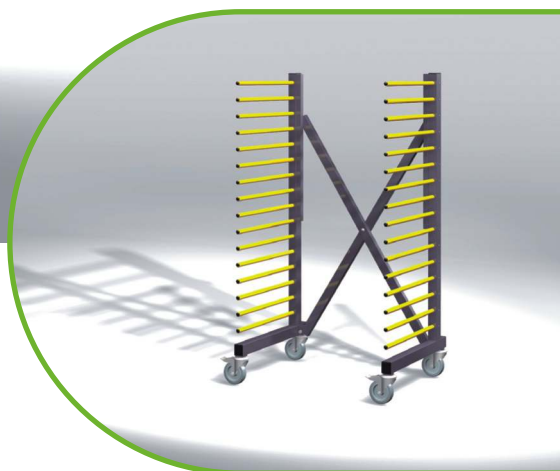
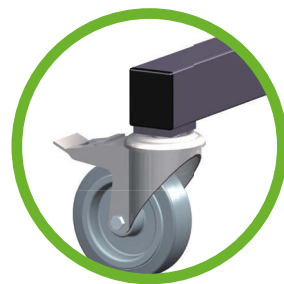
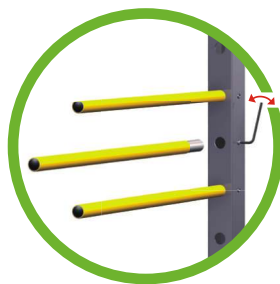
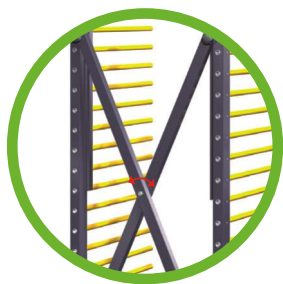


- 1 **fully adjustable between rakes**
allows for easy and individual adaptation
- 2 **flexible clearance**
through removal of the carrying bars (pressure screw release)
- 3 **best handling**
through high-quality elastic wheels **2 with brakes**



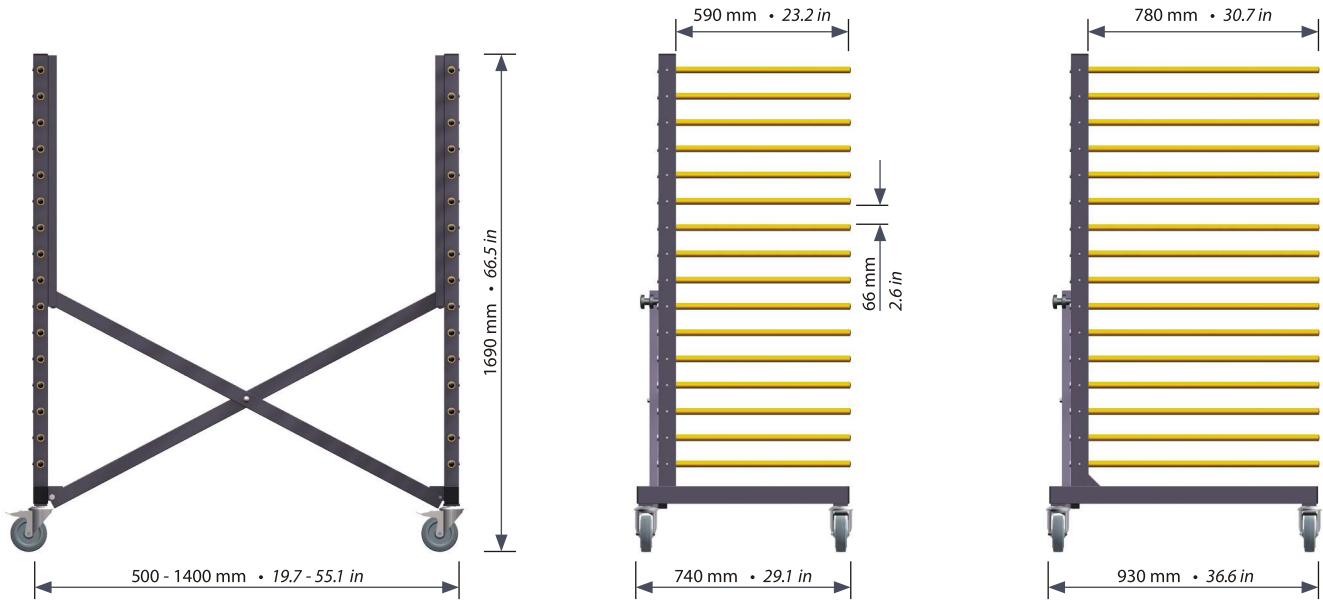
Technical information:	Mover 4 - A59	Mover 4 - A78
length x depth x height	1500 x 750 x 1780 mm 59.1 x 29.5 x 70.1 in	1500 x 940 x 1780 mm 59.1 x 37 x 70.1 in
rakes	4 (2 fully adjustable)	
depth of levels	590 mm • 23.2 in	780 mm • 30.7 in
number of levels	16	16
clearance between levels	66 mm • 2.6 in	66 mm • 2.6 in
diameter of carrying bars	23 mm • 0.9 in	23 mm • 0.9 in
cover of carrying bars	plastic yellow	
fixation of carrying bars	slot in system with locking screw	
4 elastic wheels, 2 with brakes	ø 125 mm • 4.9 in	ø 125 mm • 4.9 in
max. load: whole rack / Trolley	180 kg • 396.8 lb	320 kg • 705.5 lb
max. load: per level (4 carrying bars)	60 kg • 132.3 lb	45 kg • 99.2 lb
colour	RAL 7024 Graphite Grey	
dispatched partly assembled in carton l x d x h	805 x 240 x 1680 mm 31.7 x 9.4 x 66.1 in	1010 x 240 x 1680 mm 39.8 x 9.4 x 66.1 in
weight net / gross	92 / 102 kg • 202.8 / 224.9 lb	113 / 122 kg • 249.1 / 269.0 lb
8 cartons per palett l x d x h	1680 x 805 x 2070 mm 66.1 x 31.7 x 81.5 in	1680 x 1010 x 2070 mm 66.1 x 39.8 x 81.5 in

Mover X2 - A59 • A78



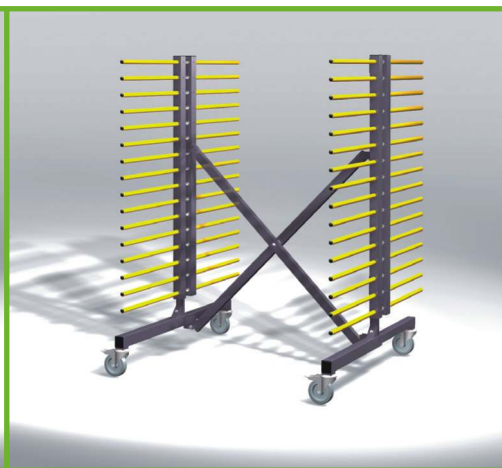
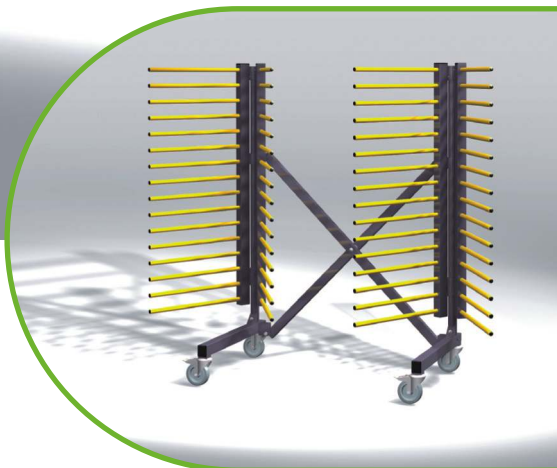
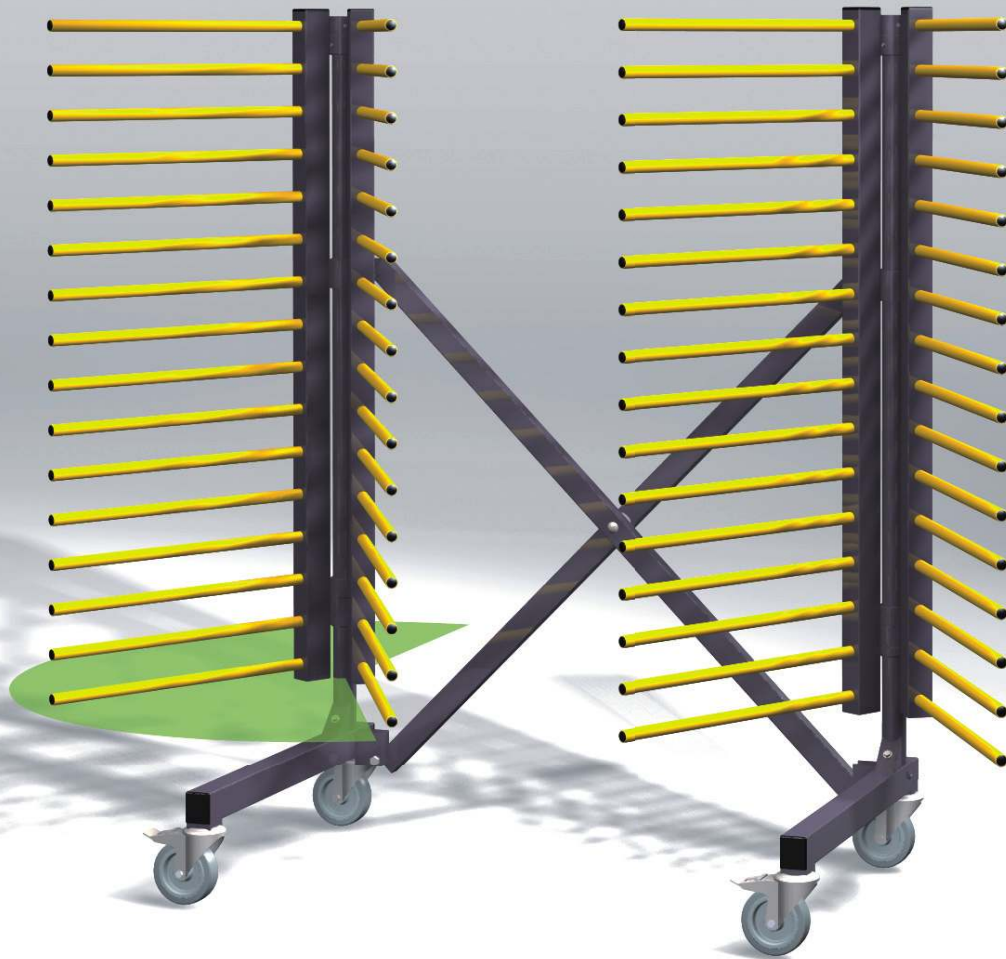
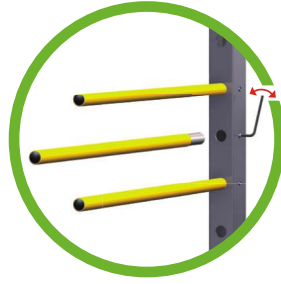
- 1 **fully adjustable length**
allows for easy and individual adaptation
- 2 **flexible clearance**
through removal of the carrying bars (pressure screw release)

- 3 **best handling**
through high-quality elastic wheels
2 with brakes



Technical information:	Mover X2 - A59	Mover X2 - A78
length x depth x height	500 - 1400 x 740 x 1690 mm 19.7 - 55.1 x 29.1 x 66.5 in	500 - 1400 x 930 x 1690 mm
rakes	2 (fully adjustable)	
depth of levels	590 mm • 23.2 in	780 mm • 30.7 in
number of levels	16	16
clearance between levels	66 mm • 2.6 in	66 mm • 2.6 in
diameter of carrying bars	23 mm • 0.9 in	23 mm • 0.9 in
cover of carrying bars	plastic yellow	
fixation of carrying bars	slot in system with locking screw	
4 elastic wheels, 2 with brakes	ø 125 mm • 4.9 in	ø 125 mm • 4.9 in
max. load: whole rack / Trolley	180 kg • 396.8 lb	320 kg • 705.5 lb
max. load: per level (2 carrying bars)	30 kg • 66.1 lb	22 kg • 48.5 lb
colour	RAL 7024 Graphite Grey	
dispatched partly assembled in carton l x d x h	805 x 240 x 1680 mm 31.7 x 9.4 x 66.1 in	1010 x 240 x 1680 mm 39.8 x 9.4 x 66.1 in
weight net / gross	56 / 66 kg • 123.5 / 145.5 lb	68 / 79 kg • 149.9 / 174.2 lb
8 cartons per palett l x d x h	1680 x 805 x 2070 mm 66.1 x 31.7 x 81.5 in	1680 x 1010 x 2070 mm 66.1 x 39.8 x 81.5 in

Mover X4VV - A59 • A78

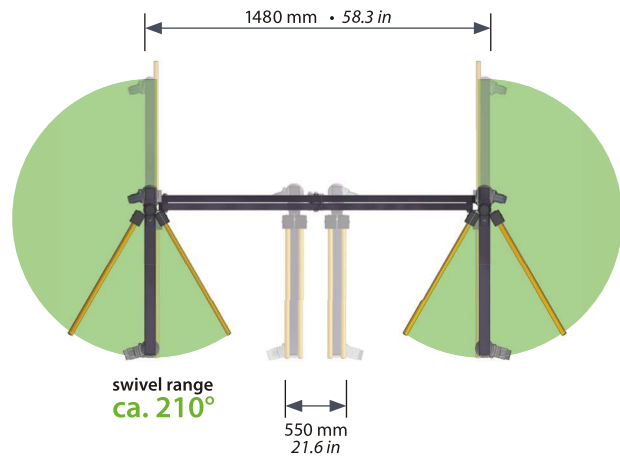
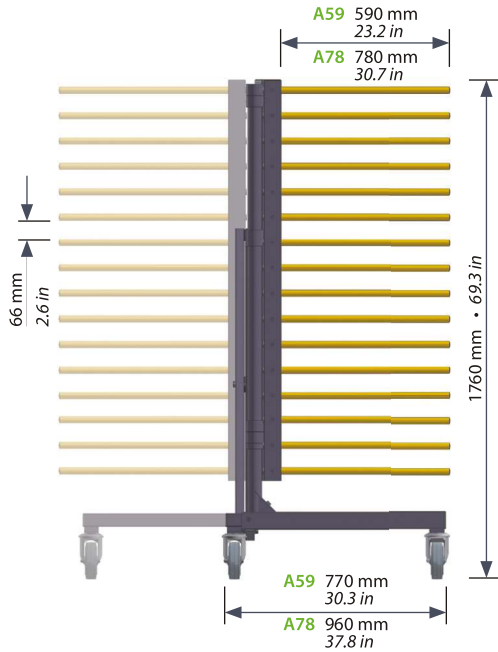


1 fully adjustable length
allows for easy and individual adaption

2 swivel range ca. 210°
EP 1 603 430
US-Pat. Nr. 7 533 777

3 flexible clearance
through removal of the carrying bars (pressure screw release)

4 best handling
through high-quality elastic wheels
2 with brakes



Technical information:	Mover X4VV - A59	Mover X4VV - A78
length x depth x height	550 - 1480 x 770 x 1760 mm 21.6 - 58.3 x 30.3 x 69.3 in	550 - 1480 x 960 x 1760 mm 21.6 - 58.3 x 37.8 x 69.3 in
rakes	4 (adjustable - swivel range ca. 210°)	
depth of levels	590 mm • 23.2 in	780 mm • 30.7 in
number of levels	16	16
clearance between levels	66 mm • 2.6 in	66 mm • 2.6 in
diameter of carrying bars	23 mm • 0.9 in	23 mm • 0.9 in
cover of carrying bars	plastic yellow	
fixation of carrying bars	slot in system with locking screw	
4 elastic wheels, 2 with brakes	ø 125 mm • 4.9 in	ø 125 mm • 4.9 in
max. load: whole rack / Trolley	180 kg • 396.8 lb	180 kg • 396.8 lb
max. load: per level (4 carrying bars)	60 kg • 132.3 lb	45 kg • 99.2 lb
colour	RAL 7024 Graphite Grey	
dispatched partly assembled in carton l x d x h	805 x 305 x 1720 mm 31.7 x 12.0 x 67.7 in	1010 x 305 x 1720 mm 39.8 x 12.0 x 67.7 in
weight net / gross	110 / 118 kg • 242.5 / 260.1 lb	128 / 138 kg • 282.2 / 304.2 lb
8 cartons per palett l x d x h	1720 x 805 x 1980 mm 67.7 x 31.7 x 78.0 in	1720 x 1010 x 1980 mm 67.7 x 39.8 x 78.0 in

